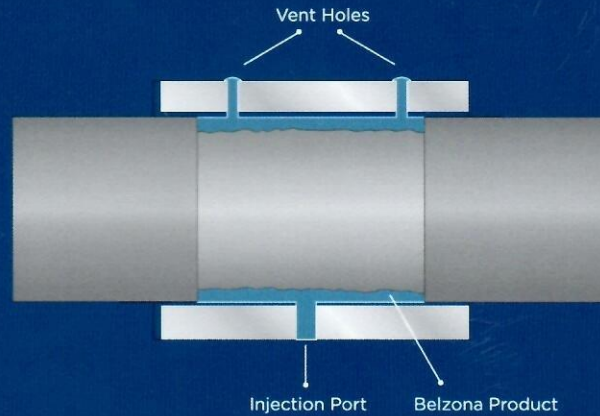
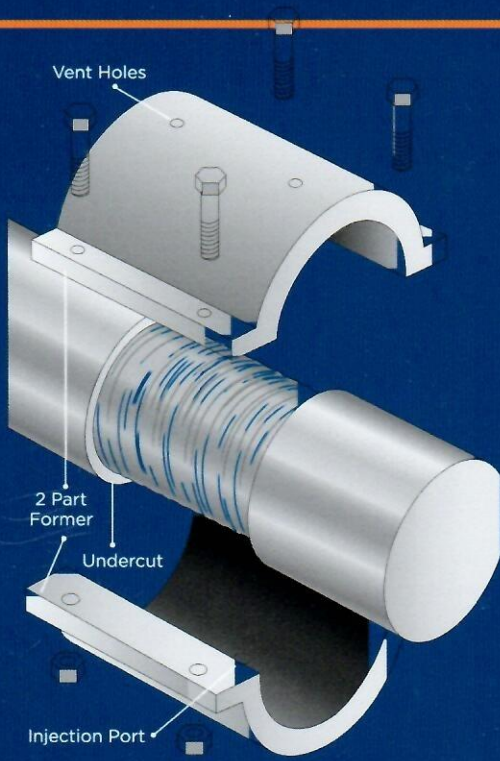


SHAFT REPAIR BY FORMING TECHNIQUE

Belzona Metallic Compounds Quickly Reinstare Damaged Equipment

Highly adhesive
Exhibit excellent mechanical strength
Resistant to erosion and corrosion



COLD APPLIED BELZONA SOLUTIONS ARE DESIGNED:

- For in-situ applications
- For a fast turnaround
- To avoid disassembly of the equipment
- To prolong the service life of equipment



Recommended products:

Belzona 1100 - Rebuilding metals

Belzona 1200 - Emergency rebuilding metals

Belzona 1300 - Erosion/corrosion resistant coatings

Selection should be made based on the nature of the damage and operating conditions of the equipment

